



Acme Sanitary Ware Co Ltd

Acme Building, 22-28 Nanking Street, Kowloon, Hong Kong
Tel: 2388 7171 Fax: 2710 8012
E-mail: acme@acmesanitary.com.hk
Website: www.acmesanitaryware.com.hk



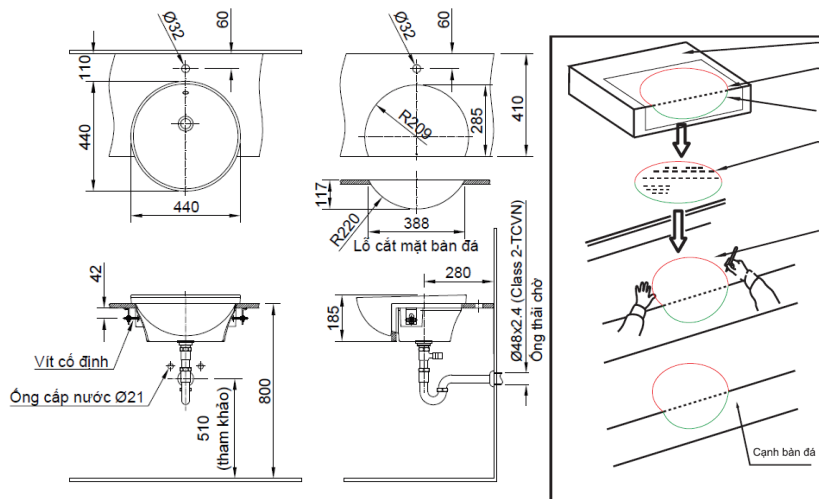
For Precious Life

PROJECT		REF		REV	ITEM CODE	
LOCATION		DATE			PAGE	

SANITARY WARE SPECIFICATION SHEET

Item Descriptions	Inax (Japan) Vitreous china single hole semi-countertop wash basin	<p>Illustration/ Drawing</p>
Dimensions	L440 x W440 x H185 mm	
Model	AL-333V	
Finish / Colour	Vitreous China / White	
Brand	Inax (Japan)	
Country of Origin	Vietnam	
Source	Acme Sanitary Ware Co. Ltd Mr. Eric Wong/ Mr. Don Yuen	
Contact Tel/Fax	(852) 2388-7171 / (852) 2710-8012	
E-mail	acme@acmesanitary.com.hk	
Website	www.acmesanitary.com.hk	

- With overflow hole
- No tap hole
- **Anti- Stain Technology** – AQUA Ceramic products



Note: YouTube ([AQUA CERAMIC](https://www.youtube.com/watch?v=NcL4h_ eltk)) https://www.youtube.com/watch?v=NcL4h_ eltk

* All information of the above is for the reference only. No prior notice is made if any changes.